

Please check the box below to proceed.

I'm not a robot



reCAPTCHA  
[Privacy](#) - [Terms](#)

# S10 Abs Wiring Ebook

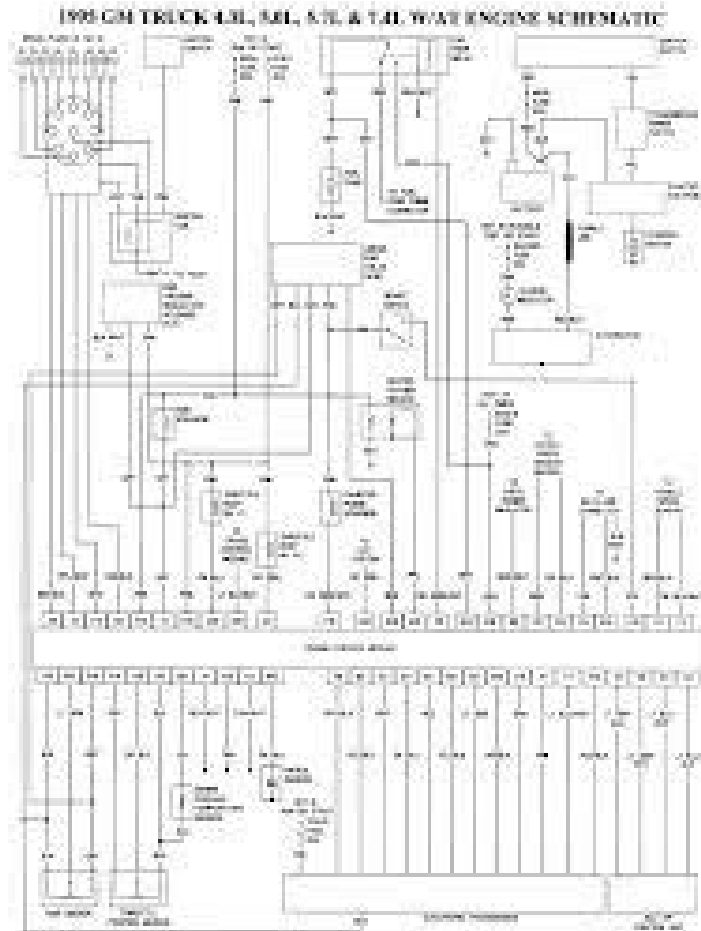


DIAGRAM 18

# Table of Contents

<b>S10 Wiring Diagram Wirings Diagram</b> .....	3
<b>Chevrolet S</b> .....	4
<b>2000 Chevy S10 Wiring Diagram Fuse Box And Wiring Diagram</b> .....	5
<b>Electrical Edition Wiring</b> .....	6
<b>C0265 Abs Code Ground Location Chevy S</b> .....	7
<b>2000 Chevy S10 Wiring Diagram Free Wiring Diagram</b> .....	8
<b>Chevrolet S10 Abs Light On Due To Brake System Control Unit</b> .....	9
<b>Chevrolet S10 Brake Abs Warning Light Problems</b> .....	10
<b>Free Chevrolet Vehicles Diagrams Schematics Service</b> .....	11
<b>Chevrolet Wire Information Your Chevrolet Wire</b> .....	12
<b>Fuse Box Diagram Chevrolet S</b> .....	13
<b>2000 Chevrolet S10 Problems And Plaints</b> .....	14
<b>Submersible Grinder Pump Type Abs Piranha Sulzer</b> .....	15
<b>Solved Wiring Diagram For 1996 Chevy S</b> .....	16
<b>I Need D Wiring Diagram Of The Electronic Injection S10 4</b> .....	17
<b>Sjm Manufacturing Inc 724 478</b> .....	18
<b>1996 Chevy S10 Brake Diagram</b> .....	19
<b>Chevrolet S10 Engine Wiring Harness</b> .....	20
<b>1995 S10 Blazer Abs Wiring Diagram 1995 Free Download</b> .....	21
<b>Com Chevy S10 Wiring Harness</b> .....	22
<b>Abs Speed Sensor O Reilly Auto Parts</b> .....	23
<b>1996 Chevy S10 Wiring Diagram Chevrolet Automotive</b> .....	24
<b>Abs Speed Sensor</b> .....	25
<b>Chevrolet S10 Abs Wheel Speed Sensor Wire Harness</b> .....	26
<b>Chevrolet S10 Abs Control Module Advance Auto Parts</b> .....	27

<b>Com S10 Radio Wiring Harness</b> .....	28
<b>Source General Motors Service Manuals</b> .....	29
.....	30

S10 Abs Wiring Ebook {Via This web site, you could profit quite a bit as it separates books in different types, and you'll not merely download the books you wish, and also obtain other linked types.

### **Why do we use it?**

S10 Abs Wiring Ebook #decisions: stories you Enjoy #selections te #the elementalists #new book release #pixelberry #playchoices

### **Where does it come from?**

S10 Abs Wiring Ebook The global normal for reliably viewing PDF files Viewer for PDF is dependable chief for reliably viewing and interacting with PDF documents across platforms and gadgets. Set up the PDF Reader mobile application to work with PDF documents with your Home windows Cellphone. Characteristics: one. Speedily open PDF paperwork with the Internet 2. Search text to search out precise details 3. Find single site or continual scroll modes four. Quickly zoom in/out on textual content or photos for a better check out 5.

S10 Abs Wiring Ebook Pleased Santa Claus inside a purple costume and with small boy reading through the book. Grandfather and little one laughing although studying a amusing book.

## **1. S10 Wiring Diagram Wirings Diagram**

**S10 Wiring** Diagram Pdf - 1995 **s10 wiring** diagram pdf, 1996 **s10 wiring** diagram pdf, 1997 chevy **s10 wiring** diagram pdf, Every electric structure is composed of various unique components. Each part ought to be set and linked to different parts in specific way. If not, the structure will not function as it ought to be.

## **2. CHEVROLET S**

**WIRING INFORMATION:** 1984 Chevy **S-10** Blazer WIRE WIRE COLOR WIRE LOCATION 12V CONSTANT RED Ignition Harness STARTER YELLOW OR PURPLE Ignition Harness IGNITION PINK Ignition Harness ACCESSORY ORANGE Ignition Harness POWER DOOR LOCK (5-wire reverse polarity) LT. BLUE Harness Coming Into Vehicle From Driver's

## **3. 2000 Chevy S10 Wiring Diagram Fuse Box And Wiring Diagram**

2000 chevy **s10 wiring** diagram - thanks for visiting my website, this article will review concerning 2000 chevy **s10 wiring** diagram. We have actually collected many photos, ideally this image is useful for you, and also aid you in discovering the solution you are looking for. Description : 2000 **S10 Wiring** Diagram - Best

#### **4. ELECTRICAL EDITION WIRING**

2000 **S-10** 2.2 Cylinder Flexible fuel "5" engine code. Save Share. Reply. S. SignPros Â· Registered. Joined Jan 9, 2013 Â· 36 Posts #4 â€¢ Jan 18, 2013. Am I missing the actual **wiring** diagram in the steering column file? I'm just not seeing it in there. I've got the column out of a '97 Blazer that I'm trying to put in my '97 truck, which has a ...

#### **5. C0265 ABS Code Ground Location Chevy S**

When getting the code C0265 try repairing/cleaning the ground wire shown in the video.

#### **6. 2000 Chevy S10 Wiring Diagram Free Wiring Diagram**

Assortment of 2000 chevy **s10 wiring** diagram. A **wiring** diagram is a streamlined standard photographic representation of an electrical circuit. It shows the elements of the circuit as simplified shapes, as well as the power as well as signal links in between the gadgets.

#### **7. Chevrolet S10 ABS Light On Due to Brake System Control Unit**

The average cost for a Chevrolet **S10** Anti-lock Brake System (**ABS**) Diagnosis is between \$79 -\$100. Learn More. Search For a Specific Car Problem. I have this problem. Viewing 1-20 of 100 comments . 2003 Chevrolet **S10** 200,200 mi, mister kirk. While driving the **ABS** lights on along with the Brake light. Sometimes they are both off during my trip to ...

#### **8. Chevrolet S10 Brake Abs Warning Light Problems**

At around 45,000 miles, the **abs** light went on during travel. I went to a brake shop and they informed me of a problem with **s-10** brakes. I called the dealer where I purchased the truck and they said there was no recall yet. They did tell me there was a problem with **s-10** braking systems and I should wait until I receive a letter.

## 9. Free Chevrolet Vehicles Diagrams Schematics Service

Chevrolet Vehicles Diagrams, Schematics and Service Manuals - download for free! Including: 1923 chevrolet car **wiring**, 1923 chevrolet general **wiring**, 1923 chevrolet superior model, 1923 chevrolet **wiring**, 1925 chevrolet superior model series k, 1927 chevrolet capitol and national, 1927 chevrolet capitol and national models, 1928 chevrolet general **wiring**, 1928 chevrolet **wiring**, 1928 chevrolet ...

## 10. Chevrolet Wire information Your Chevrolet wire

BLAZER CHEVROLET **S-10** 1998 2DR SUV **wiring** information: BLAZER CHEVROLET **S-10** 1999 2DR SUV **wiring** information: BLAZER CHEVROLET **S-10** 2000 2DR SUV **wiring** information: BLAZER CHEVROLET **S-10** 2001 2DR SUV **wiring** information: 1994 CHEVROLET CAVALIER 4DR SEDAN **wiring** information: 1993 CHEVROLET CAVALIER 4DR SEDAN **wiring** information

## 11. Chevrolet S

Chevrolet **S-10** for factory, & Haynes service repair manuals. Chevrolet **S-10** repair manual PDF

## 12. Fuse Box Diagram Chevrolet S

Fuse box diagram (location and assignment of electrical fuses) for Chevrolet (Chevy) **S10** (1994, 1995, 1996, 1997, 1998, 1999, 2000, 2001, 2002, 2003, 2004).

## 13. 2000 Chevrolet S10 Problems and plaints

Problem with your 2000 Chevrolet **S10**? Our list of 22 known complaints reported by owners can help you fix your 2000 Chevrolet **S10**.

## 14. Submersible grinder pump type ABS Piranha Sulzer

Installation, Operating and Maintenance Instructions - Submersible Grinder Pump Type **ABS Piranha S10** - PE125 (pdf) Languages: DE ES FI FR PT RU SV SR DA EN CS IT LT NB TR PL RO SK SL HU EL ET NL BG LV. Installation and Operating Instructions - MF 154-804 and Piranha 08-09 (pdf)

## 15. SOLVED Wiring diagram for 1996 Chevy S

**Wiring** diagram for 1996 Chevy **S-10** chassis **Wiring** was cut, all functions have been restored, but still have 1 red, 1 blue, and 1 white wire not connected. **ABS** light is on, and turn signals work, but flash faster than normal.

## 16. Chevrolet S

Chevrolet **S-10** (1996) - fuse box diagram Year of production: 1996 Instrument panel The fuse block is in the instrument panel on the driver's side. Fuses/Circuit Breaker Circuit protected A Power Door Locks, Power Seat, Power Seat Lumbar, Remote Keyless Entry B Power Window 1 Stoplamps, Hazard Lamps, Chime, Center High-Mounted Stoplamp Relay, Center High-Mounted Stoplamp 2 Dome Lamps, Visor

## 17. I need d wiring diagram of the electronic injection S10 4

Hello, I need d **wiring** diagram of the electronic injection **S10** 4.3 in 1995, and the **wiring** diagram kelsey hayes **abs** sensors on the front wheels and only one sensor on the gearbox output. Submitted: 8 years ago.

## 18. SJM Manufacturing Inc 724 478

- **ABS** compatible - Installation wire - Fuse with holder - Electrical connectors - Complete Instructions including pictorials and schematics. Benefits: -Exclusive two stage switched circuitry-Installation does not impede with supercharger/turbo kits-Easy install. Lines, valve and fittings come pre-assembled; brake sealant is not needed for ...

## 19. 1996 CHEVY S10 BRAKE DIAGRAM

SOURCE: need a **wiring** diagram for a chevy **s10**. brake. your power starts at the brake light fuse,check with a test light,then proceed to stop light switch on brake pedal under dash,one wire will be hot when when you check it with your test light, the other won't be until you press down the brake pedal then the power flows through to the second wire,if no power to second wire replace switch,if ...

## 20. Chevrolet S10 Engine Wiring Harness



Order Chevrolet **S10** Engine **Wiring** Harness online today. Free Same Day Store Pickup. Check out free battery charging and engine diagnostic testing while you are in store. 20% off orders over \$120\* + Free Ground Shipping\*\* Online Ship-To-Home Items Only. Use Code: JUST4YOU. 20% off orders over \$120\* + Free Ground Shipping\*\* ...

## 21. Chevrolet S

Check **wiring** diagram, sometimes there's other things tied in to the same circuit and it'll drive u nuts trying to find it in the **abs**. Seen it happen on a 2005 ford f150. Egr valve heater is tied in to the **abs** system and it shorted out and could not find the issue til I read the electrical schematic

## 22. 1995 S10 Blazer Abs Wiring Diagram 1995 free download

19-may-2017 - 1995 **S10** Blazer **Abs Wiring** Diagram. 1995. free download **wiring** diagrams

## 23. com chevy s10 wiring harness

CURT 55359 Vehicle-Side Custom 4-Pin Trailer **Wiring** Harness for Select Chevrolet **S-10**, GMC S-15, Sonoma, Isuzu Hombre 4.7 out of 5 stars 116 \$19.69 \$19.69 \$28.06 \$28.06

## 24. ABS Speed Sensor O Reilly Auto Parts

Order **ABS** Speed Sensor for your vehicle and pick it up in storeâ€”make your purchase, find a store near you, and get directions. Your order may be eligible for Ship to Home, and shipping is free on all online orders of \$35.00+. Check here for special coupons and promotions.

## 25. 1996 Chevy S10 Wiring Diagram Chevrolet Automotive

1996 Chevy **S10 Wiring** Diagram. Chevrolet. Automotive **Wiring** Diagrams regarding 1996 Chevy 1500 **Wiring** Diagram by admin Through the thousand photos on the web regarding 1996 chevy 1500 **wiring** diagram, we picks the best collections having best quality exclusively for you, and now this pictures is usually considered one of graphics series inside our very best graphics gallery in relation to 1996 ...

## 26. ABS Speed Sensor

Order **ABS** Speed Sensor for your 2000 Chevrolet **S10** and pick it up in storeâ€”make your purchase, find a store near you, and get directions. Your order may be eligible for Ship to Home, and shipping is free on all online orders of \$35.00+. Check here for special coupons and promotions.

### **27. Chevrolet S10 ABS Wheel Speed Sensor Wire Harness**

Order Chevrolet **S10 ABS** Wheel Speed Sensor Wire Harness online today. Free Same Day Store Pickup. Check out free battery charging and engine diagnostic testing while you are in store.

### **28. Chevrolet S10 ABS Control Module Advance Auto Parts**

Your Chevrolet **S10** will be happy to know that the search for the right **ABS** Control Module products you've been looking for is over! Advance Auto Parts has 9 different **ABS** Control Module for your vehicle, ready for shipping or in-store pick up. The best part is, our Chevrolet **S10 ABS** Control Module products start from as little as \$101.99.

### **29. com s10 radio wiring harness**

Amazon's Choice for **s10 radio wiring** harness. Metra 70-1858 Radio **Wiring** Harness For GM 88-05 Harness. 4.5 out of 5 stars 2,721. \$3.57 \$ 3. 57 \$4.79 \$4.79. Get it as soon as Wed, Jan 13. FREE Shipping on orders over \$25 shipped by Amazon.

### **30. Source General Motors service manuals**

Kelsey-Hayes **ABS** components: â€¢ Figure G2019-1 Kelsey-Hayes EBC310 4WAL system ECU â€¢ Figure G2019-2 Kelsey-Hayes EBC4 4WAL system connector pin configuration â€¢ Figure G2019-3 RWAL control valve assemblies â€¢ Figure G2019-4 Kelsey-Hayes EBC 325 & EBC 325S (w/NW7) used on Avalanche, Silverado, **S10**, Trailblazer, Tahoe, Astro and Safari

### **31.**

**PDF Copyright ID : 9k41yiapswdm8c073nej**

References:

[S10 Abs Wiring Ebook](#)  
[S10 Wiring Diagram Wirings Diagram](#)  
[CHEVROLET S](#)  
[2000 Chevy S10 Wiring Diagram Fuse Box And Wiring Diagram](#)  
[ELECTRICAL EDITION WIRING](#)  
[C0265 ABS Code Ground Location Chevy S](#)  
[2000 Chevy S10 Wiring Diagram Free Wiring Diagram](#)  
[Chevrolet S10 ABS Light On Due To Brake System Control Unit](#)  
[Chevrolet S10 Brake Abs Warning Light Problems](#)  
[Free Chevrolet Vehicles Diagrams Schematics Service](#)  
[Chevrolet Wire Information Your Chevrolet Wire](#)  
[Chevrolet S](#)  
[Fuse Box Diagram Chevrolet S](#)  
[2000 Chevrolet S10 Problems And Complaints](#)  
[Submersible Grinder Pump Type ABS Piranha Sulzer](#)  
[SOLVED Wiring Diagram For 1996 Chevy S](#)  
[Chevrolet S](#)  
[I Need D Wiring Diagram Of The Electronic Injection S10 4](#)  
[SJM Manufacturing Inc 724 478](#)  
[1996 CHEVY S10 BRAKE DIAGRAM](#)  
[Chevrolet S10 Engine Wiring Harness](#)  
[Chevrolet S](#)  
[1995 S10 Blazer Abs Wiring Diagram 1995 Free Download](#)  
[Com Chevy S10 Wiring Harness](#)  
[ABS Speed Sensor O Reilly Auto Parts](#)  
[1996 Chevy S10 Wiring Diagram Chevrolet Automotive](#)  
[ABS Speed Sensor](#)  
[Chevrolet S10 ABS Wheel Speed Sensor Wire Harness](#)  
[Chevrolet S10 ABS Control Module Advance Auto Parts](#)  
[Com S10 Radio Wiring Harness](#)  
[Source General Motors Service Manuals](#)